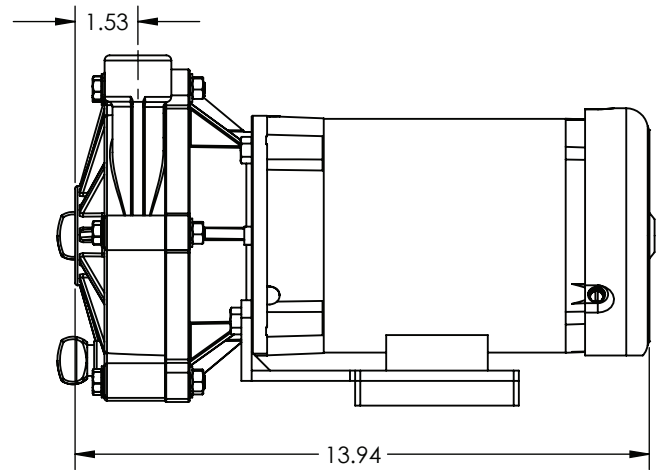
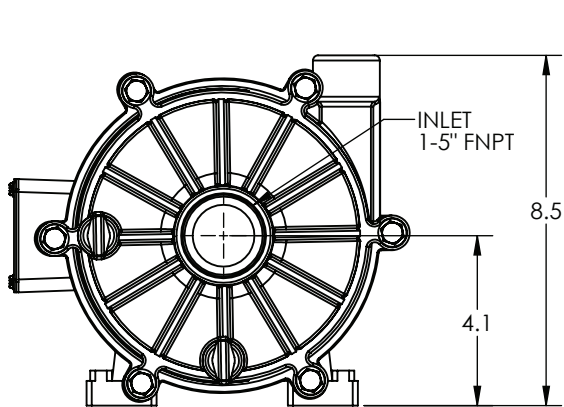
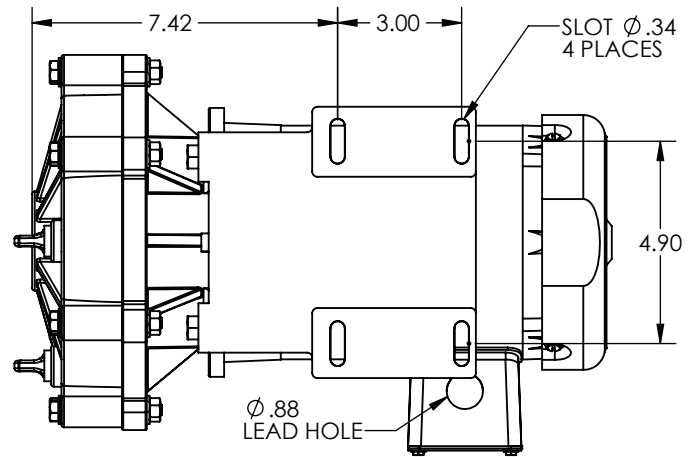
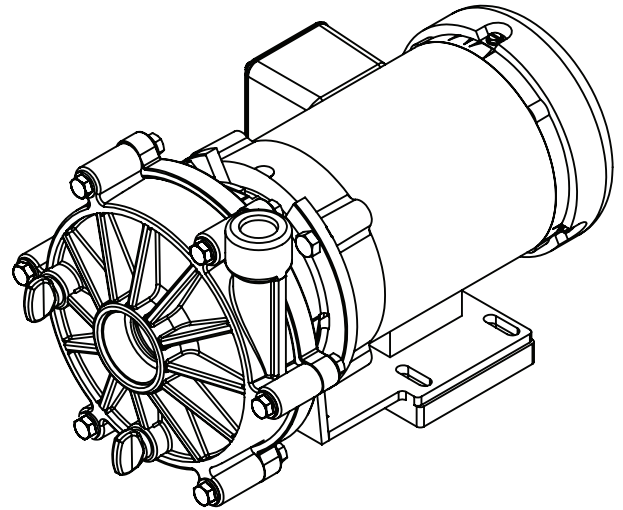
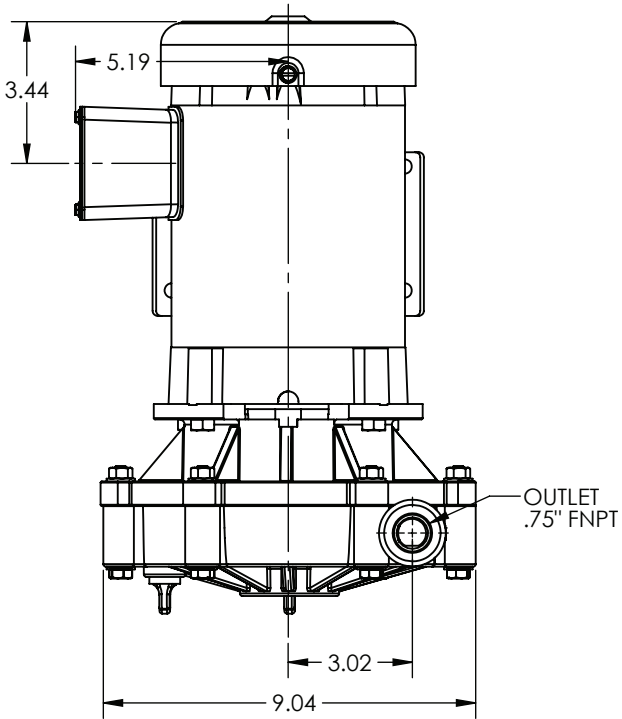
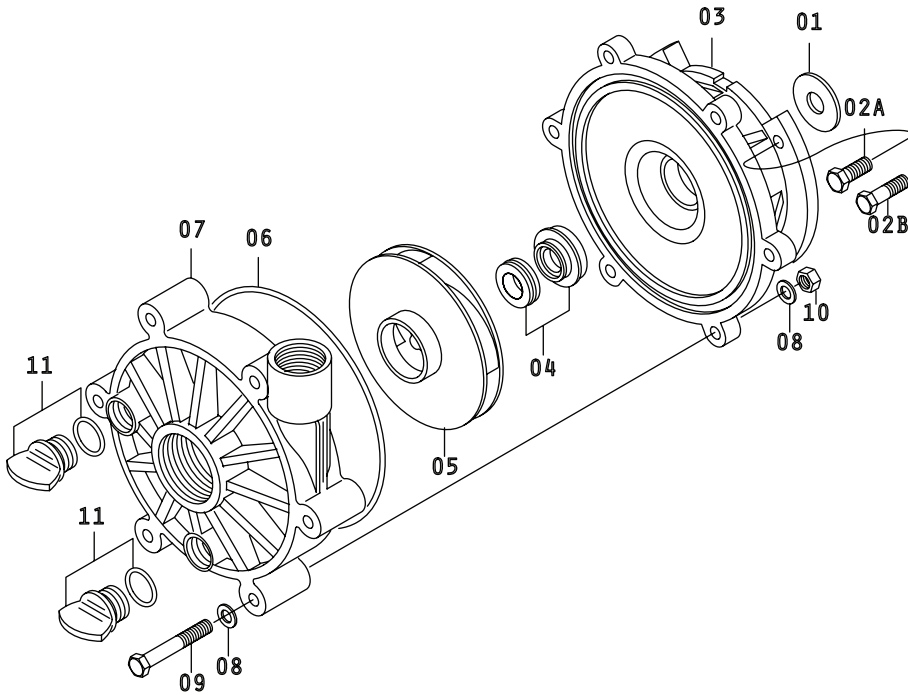


*Dimensions and illustrations are approximate and for reference only.
For engineering approved documentation contact MDM Inc.

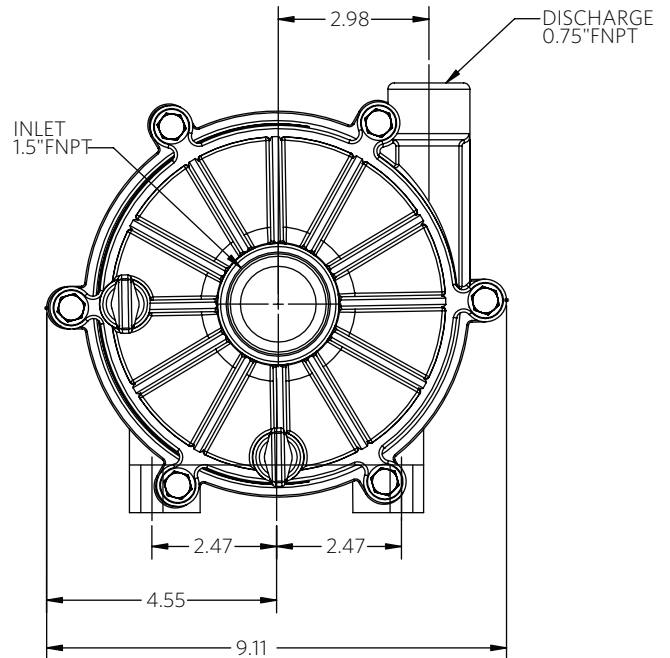
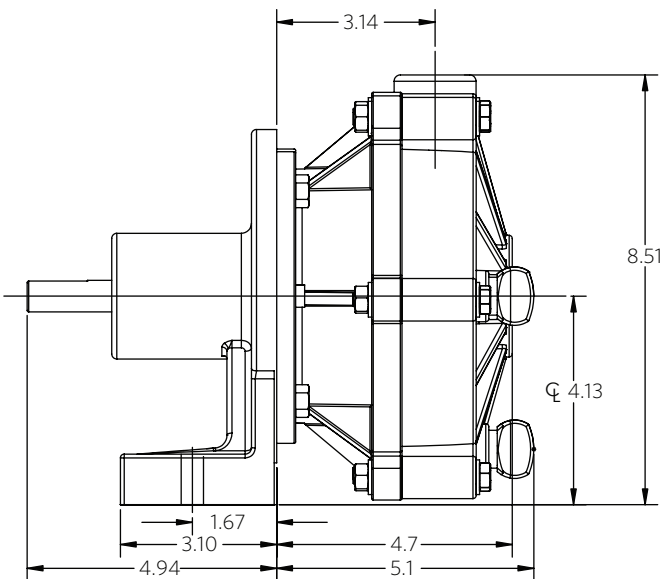


*Dimensions and illustrations are approximate and for reference only. For engineering approved documentation contact MDM Inc.

Advance® 3000 Dimensional Drawings - Exploded View and Pedestal



NUMBER	QTY	DESCRIPTION
01	1	SLINGER
02A, 02B	4	M-BOLT
03	1	BRACKET
04	1	MECHANICAL SEAL
05	1	IMPELLER
06	1	O-RING
07	1	VOLUTE
08	12	WASHER
09	6	PUMP BOLT
10	6	PUMP NUT
11	2	DRAIN PLUG & O-RING



*Dimensions and illustrations are approximate and for reference only. For engineering approved documentation contact MDM Inc.