

6X5 INSTALLATION AND SERVICE MANUAL

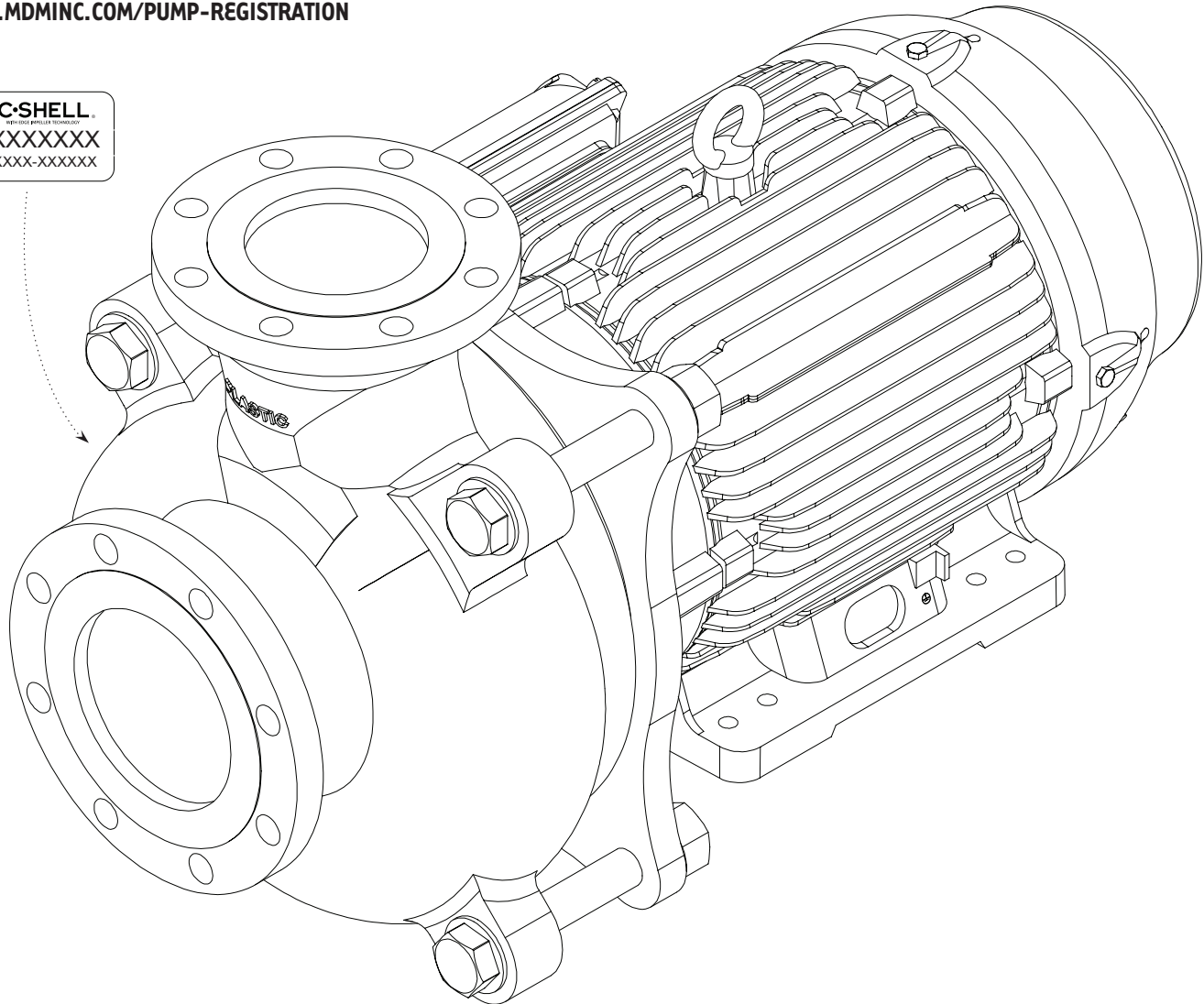
PLEASE FILL IN FOR FUTURE REFERENCE:

MODEL: _____

SERIAL NUMBER: _____

DATE PURCHASED: _____

* PLEASE FILL OUT THE WARRANTY REGISTRATION CARD INCLUDED WITH THIS PRODUCT OR ONLINE AT:
WWW.MDMINC.COM/PUMP-REGISTRATION



WARNING: Please read completely before you install or operate your new pump. Do NOT allow the motor to become submerged. Never run dry. Never reverse rotation. Never exceed an internal case pressure of: 100 PSI.



PROUDLY MADE
IN THE USA

Generated from efficiency. Adapted for flow. Built for longevity.

© MDM INCORPORATED
WWW.MDMINC.COM

WARNING: Eye protection is strongly recommended

We congratulate you on your choice of the C-Shell[®] 6X5 Centrifugal Pump. It has been carefully designed using the advantages of today's technology and meticulously constructed to give you the dependability of yesterday. To insure proper performance and longevity, we urge you to follow the instructions in this manual. If you have any questions, contact MDM Incorporated for assistance.

PRIOR TO INSTALLATION

The instructions below should only be followed if the pumps are placed in storage.

1. Once received from factory, store all crated pumps in a dry and covered location.
2. Make certain all uncoated machined surfaces are coated with a dielectric or marine grease every seven days to prevent oxidation.
3. Rotate motor shaft multiple times once a week.

INSTALLATION

1. Locate the pump as near the fluid source as possible. We recommend a flooded suction installation.
2. Mount motor base to a secure, immobile foundation.
3. The pipe fittings should be self-supported and in neutral alignment with each port. The fittings must not be forced into alignment which may cause premature line failure or damage to the pump volute.
4. Never restrict the intake. Keep both input and discharge lines as free of elbows and valves as possible i.e. five feet per second max and a straight run of at least 10 pipe diameters on the suction side. This will reduce friction losses and maximize output.
5. The C-Shell[®] Pump is not self-priming. It must not be run dry.

ELECTRICAL HOOK-UP

1. Check that supply voltages match the motor's requirements. The supply voltages can be found on the motor nameplate.
2. Verify that the internal motor leads (load-side) are connected according to the specifications shown on the motor nameplate and that they match the supply voltage (line-side).
3. Verify motor rotation with rotation meter. Incorrect rotation can cause serious damage to pump and/or motor. MDM Incorporated does not recommend checking rotation by quickly switching power on and off because serious damage can occur.
4. Supply power wiring (load side) should be protected by conduit or by cable and be of proper gauge. Length should be no longer than necessary.
5. Power should be drawn directly from an enclosure with circuit breaker protection or with a fused disconnect switch.



WARNING: ALWAYS SHUT OFF ELECTRICAL POWER BEFORE INSTALLATION AND / OR SERVICING THIS PUMP!
ALL ELECTRICAL WIRING SHOULD MEET STATE AND LOCAL ORDINANCES. IMPROPER WIRING MAY NOT ONLY BE A SAFETY HAZARD BUT MAY PERMANENTLY DAMAGE THE MOTOR AND/OR PUMP! 50 HZ MOTORS AVAILABLE - CONTACT YOUR SUPPLIER FOR INFORMATION.



PUMP END ASSEMBLY/DISASSEMBLY

Contact a factory authorized agent, service center, or factory directly before disassembly or assembly. MDM Incorporated factory hours are 7:30am - 4pm MST, Monday through Friday. You can reach us toll free at **(800) 447-8342** or e-mail us at **sales@mdm-inc.com**.



PROUDLY MADE
IN THE USA

Generated from efficiency. Adapted for flow. Built for longevity.

© MDM INCORPORATED
WWW.MDMINC.COM

P.2

C-SHELL® 6X5 ASSEMBLY INSTRUCTIONS

I. EQUIPMENT & SUPPLIES REQUIRED

The C-Shell® pump series have pump-motor unit gross weights up to 800lbs. It is highly recommended an experienced pump mechanic or millwright perform any assembly or disassembly required. Failing to properly handle and install the pump components may result in damage and will void the factory warranty. When performing any assembly or disassembly of the pump-end components, please make certain the proper equipment and supplies required are present for all service and maintenance work.

A. Safety glasses

B. Latex/Rubber Gloves (for working with fasteners, elastomers, lubricants, and greases)

C. Safety Boots with Toe Protection

D. Rags

E. Lint Free Rags (McMaster-Carr p/n:7366T35)

F. Lint free Paper Dry Wipes (McMaster-Carr p/n: 7367T38)

G. Isopropyl Alcohol (McMaster-Carr p/n: 54845T42)

H. Anti-Seize Grease (McMaster-Carr reference p/n:1820K23)

I. Molykote® 111 Silicon Based Dielectric Grease (McMaster-Carr reference p/n: 1204K32)

J. Socket Wrench Kit (up to 1-13/16" sockets)

K. Torque Wrench kit (up to 100 ft/lbs & up to 3/4" driver)

L. 1 Ton Scissor Lift or Cart

M. 1 Ton Chain Hoist

N. 1 Ton Gantry System

O. 12" Adjustable C-Clamp

II. PUMP COMPONENTS IDENTIFICATION

Pump-End Exploded View

Review all components and make certain required items are on hand before performing the assembly steps.

III. PUMP END ASSEMBLY TO MOTOR

Motor Preparation

- The entire C-Shell® pump is built onto the motor, so to begin assembly motor must be firmly secured to a work surface. The feet can be clamped or bolted onto the surface to prevent movement or tipping. The motor's mounting face should hang over the edge of the work surface so there is no interference during assembly (See Figure 1). A smaller motor is more prone to tipping when the wet end is installed than a larger motor, but all should be firmly secured.
- Prepare motor by removing all stickers and wiping off excess lubricant from the shaft. Remove the Square Key (9) and fit the Shaft Sleeve (8) over the motor shaft. Place the Square Key (9) into the motor shaft keyway along with the Shaft Sleeve (8) and cut the Square Key (9) stock so that it does not protrude past the shoulder of the Shaft Sleeve (8). (See Figure 7 & 8).
- Remove Square Key (9) and Shaft Sleeve (8) from shaft. Ensure there is a light application of anti-seize on the motor shaft.
- Apply a light application of Anti-Seize (Item H) to front motor face/flange.
- Apply a light application of Anti-Seize (Item H) to shaft.



**FULL THREAD LENGTH ENGAGEMENT IS REQUIRED FOR ALL FASTENERS.
LIGHTLY LUBRICATE ALL SEAL O-RINGS TO PREVENT DAMAGE & HOLD O-RINGS IN PLACE DURING ASSEMBLY.**



PROUDLY MADE
IN THE USA

Generated from efficiency. Adapted for flow. Built for longevity.

© MDM INCORPORATED
WWW.MDMINC.COM

P.3

C-SHELL® 6X5 EXPLODED VIEW AND PARTS LIST

NO.	PART NAME	MOTOR C (254-256JM) PART NUMBER	MOTOR D (284-324JM) PART NUMBER	QTY.
1A	CASE NUTS	HCS14144	HCS14144	4
1B	CASE WASHERS	FW14	FW14	8
1C	CASE BOLTS	HHN14	HHN14	4
2	BRACKET PLATE	MD1401 MS	MD1402 MS	1
3	HEX OR ALLEN HEAD FASTENERS*	HCS08012	HCS10016	4
4	SEAL HOUSING	MD1201 W35	MD1200 W35	1
5	CASE O-RING	ARP277	ARP277	1
6	CASE GASKET*	A0160FA	A0160FA	1
7A	STATIONARY SEAL FACE	24170545 (CARBON GRAPHITE/CERAMIC) 24170510 (SIC VS. SIC)	24170545 (CARBON GRAPHITE/CERAMIC) 24170510 (SIC VS. SIC)	1
7B	ROTATING SEAL FACE			
7C	SPRING			
7D	SPRING RETAINER			
8	SHAFT SLEEVE	MD0902 316L	MD0902 316L	1
9	SQUARE KEY*	CONSULT FACTORY	CONSULT FACTORY	1
10	SPACER SHIM*	MD2300 NYL	MD2300 NYL	2
11	IMPELLER	IMP00003	IMP00003	1
12	PENTAGON HUB SPACER	MD0702 316L	MD0702 316L	1
13	PENTAGON HUB O-RING	ARP012	ARP012	1
14	PENTAGON HUB	MD0601 316L	MD0601 316L	1
15	IMPELLER BOLT FLAT WASHER	FW08	FW08	1
16	IMPELLER BOLT LOCK WASHER	LW08	LW08	1
17	IMPELLER BOLT O-RING	ARP012	ARP012	1
18	IMPELLER BOLT	MD0301 316S	MD0301 316S	1
19	CASE	MD0102 W35	MD0102 W35	1
20	MOUNTING BLOCK	CONSULT FACTORY	CONSULT FACTORY	4

CONSULT MANUFACTURER FOR PARTS PRICING

*3. SCREW SIZING IS BASED ON MOTOR SIZE

*6. CASE GASKET (USE AS NEEDED)

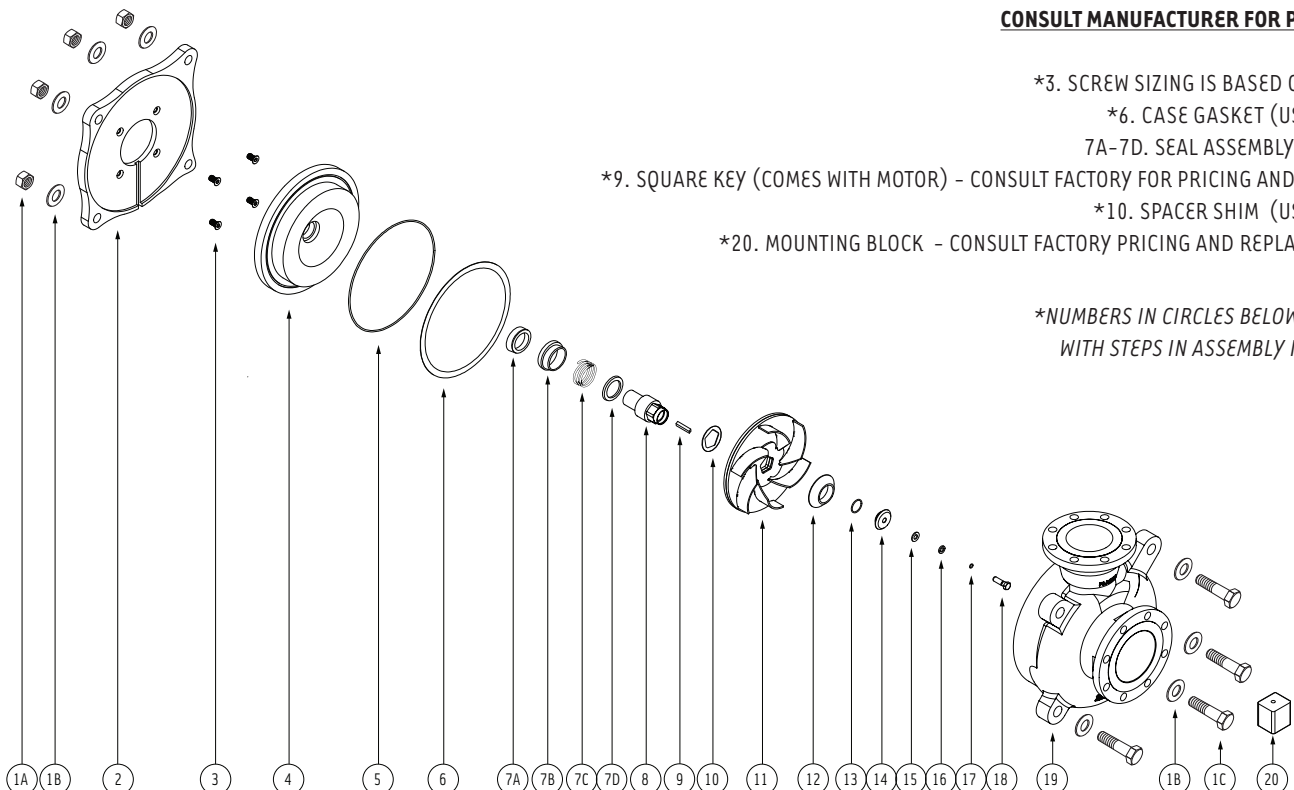
7A-7D. SEAL ASSEMBLY SOLD AS A SET

*9. SQUARE KEY (COMES WITH MOTOR) - CONSULT FACTORY FOR PRICING AND REPLACEMENT

*10. SPACER SHIM (USE AS NEEDED)

*20. MOUNTING BLOCK - CONSULT FACTORY PRICING AND REPLACEMENT PARTS

*NUMBERS IN CIRCLES BELOW CORRESPOND WITH STEPS IN ASSEMBLY INSTRUCTIONS.



PROUDLY MADE
IN THE USA

Generated from efficiency. Adapted for flow. Built for longevity.

© MDM INCORPORATED
WWW.MDMINC.COM

P.4

C-SHELL® 6X5 FIGURE AND TABLE SUPPLEMENT



FIGURE 1



FIGURE 2



FIGURE 3



FIGURE 4



FIGURE 5



FIGURE 6



FIGURE 7



FIGURE 8

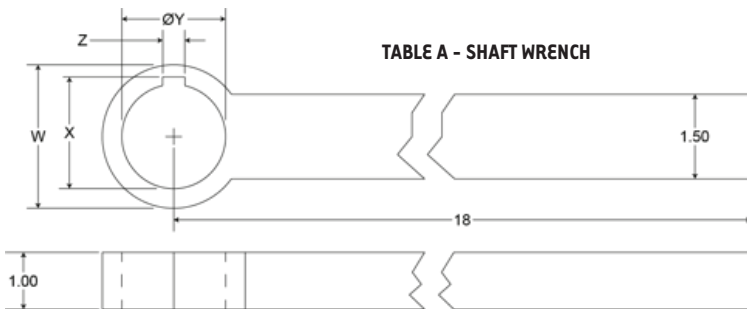


TABLE A - SHAFT WRENCH

TABLE B - BOLT TORQUE VALUES (ALL VALUES IN FT-LBS)

PARTS	3X2	4X3	6X5
Motor Bolts	50	50	50
Impeller Bolt	40	40	40
Case Bolts	32	65	65

TABLE C - SHAFT WRENCH DIMENSION

NOMINAL SHAFT DIAMETER	W	X (+.06)	Y (+.015)	Z
0.875	1.375	0.958	0.878 - 0.880	0.188 - 0.192
1.125	1.625	1.253	1.128 - 1.130	0.125 - 0.129
1.625	2.125	1.806	1.628 - 1.630	0.375 - 0.379
1.750	2.5	1.940	1.753 - 1.755	0.375 - 0.379
2.375	3.25	2.690	2.378 - 2.380	0.625 - 0.629
2.875	3.75	3.205	2.878 - 2.880	0.750 - 0.754



1. Bracket Plate

- Attach Bracket Plate (2) to motor face using Hex or Allen Head Fasteners (3) per torque specs (See Table B) with the drain slot pointed downwards.
- Anti-seize (Item H) should be applied to the register face and motor screws to aid in disassembly.

2. Seal Installation

- Referencing seal manufacturer's instructions, install Stationary Seal Face (7A) in the Seal Housing (4). Lightly lubricate outside rubber boot of Stationary Seal Face (7A) with Molykote® 111 Silicon Based Dielectric Grease (Item I) to ease assembly and press Stationary Seal Face (7A) into Seal Housing (4) counterbore gently by hand. **Warning:** Hard tools can damage the seal face and prevent proper operation. Ensure seal is firmly seated in Seal housing (4). Inspect from the front and back of Seal Housing (4) to make sure seal is straight and fully seated (Figures 2 and 3).
- Clean stationary seal bore with isopropyl alcohol and a lint free paper dry wipe and Isopropyl Alcohol (Item G) until all contaminants wipe clean and alcohol evaporates.
- Insert Seal Housing (4) into register fit on Bracket Plate (2) being careful not to nick or scratch stationary seal with motor shaft. The Seal Housing (4) will not be positively retained at this point, so use extreme caution to prevent damage to seal components. Use a bent metal strap or a 12" adjustable C-Clamp (Item O) to hold the seal housing to the bracket plate. Example of retainer shown in (Figure 4).
- Lubricate rubber inside of Rotary Seal Face (7B) with a very light coating of Molykote® 111. Insert Shaft Sleeve (8) into Seal Spring (7C) and Rotary Seal Face (7B) assembly with the Spring Retainer (7D) against the Shaft Sleeve (8) shoulder. See (Figures 5 & 6).

3. Shaft Sleeve Installation

- Slide Shaft Sleeve (8) with seal components installed onto motor shaft with keyway aligned with key. The pentagonal side of the Shaft Sleeve (8) will face away from the motor.
- Seat Shaft Sleeve (8) firmly against the motor shaft shoulder. Ensure assembly will not fall off motor shaft.
- Insert Square Key (9) into keyway and verify that the key does not protrude further than the Shaft Sleeve (8) shoulder. See (Figures 7 & 8).

4. Impeller Installation

- Install Impeller (11) on the pentagonal side of the Shaft Sleeve (8).
- Lightly lubricate Impeller Bolt O-Ring (17) with Molykote® 111 Silicon Based Dielectric Grease (Item I) and fit into groove on Impeller Bolt (18).
- Lightly lubricate Pentagon Hub O-Ring (13) with Molykote® 111 Silicon Based Dielectric Grease (Item I) and fit into groove on Pentagon Hub (14).
- Install Pentagon Hub Spacer (12), and Pentagon Hub (14) onto Shaft Sleeve (8) followed by Impeller Bolt (18), with Impeller Bolt Flat Washer (15) and Impeller Bolt Lock Washer (16). Hold Pentagon Hub Spacer (12) relatively centered over the Shaft Sleeve (8). Tighten Impeller Bolt (18) with an impact tool to avoid having to lock shaft. Verify that the Pentagon Hub Spacer (12) is centered.
- If an impact tool is unavailable, motor fan cover and fan can be removed from the motor to access the shaft extension on the rear of the motor. This can be held with a keyed shaft wrench (Table A) or an adjustable wrench while the shaft screw is tightened against it per torque specs (Table B).

5. Case (Volute) Installation

- Fit Case (19) register over the Seal Housing (4) and insert Case Bolts (1C) through Case (19) and Bracket Plate (2).
- For 4x3 and 6x5 pumps, fasten Case Nuts (1A) and Case Washers (1B) onto Case Bolts (1C) and torque according to the specifications found in (Table B).
- For 3x2 pumps, torque Case Bolts (1C) according to the specifications found in (Table B).

6. Impeller Clearance Check

- Verify rotation with minimal drag by hand. Some drag (i.e. soft scraping noise) is expected from Seal (7A-7D) and for the Impeller (11) to wear into the Case (19). It may take a little torque to turn. If Impeller (11) is locked then tear back down and investigate.
- Check clearance between Impeller (11) and Case (19) through discharge or suction openings. Ideal clearance is .020-.120". A tighter clearance will provide higher efficiencies and slightly higher head values. See chart below for net clearance changes with various Case Gasket (6) and Impeller Spacer (10) combinations. Do not stack spacers or gaskets above 2 tall.
- If clearance is too tight, remove Case (19) and insert the Case Gasket (6). Reassemble and verify clearance.
- If clearance is too loose, remove Case (19), Impeller Bolt (18), Pentagon Hub (14), Pentagon Hub Spacer (12) and Impeller (11). Remove the Impeller (11) and place Spacer Shim (10) on the Shaft Sleeve (8) to achieve desired clearance. Reassemble from Step 5.

SCENARIO	NET CLEARANCE CHANGE
Standard: 1 gasket, 0 impeller spacer	0.000"
Add Case Gasket	+0.032"
Remove Case Gasket	-0.032"

IMPELLER CLEARANCE CHART

7. Case O-Ring

- Once clearance is verified, lightly grease case Case O-Ring (5) and fit into groove on Seal Housing (4). This step is withheld until now to prevent damage to Case O-Ring (5) if disassembly and reassembly is required.

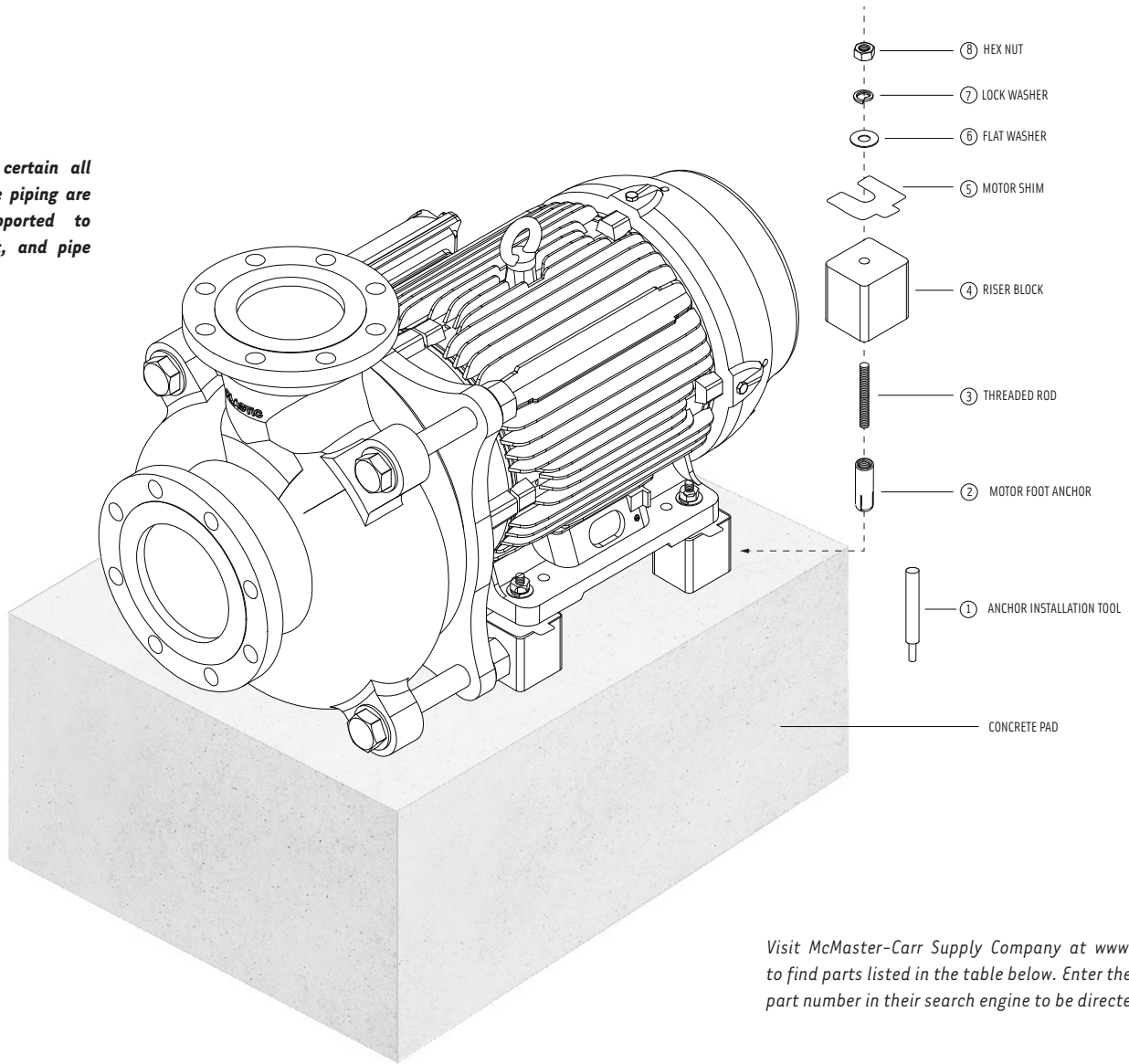
8. Verify rotation and final clearance.

9. Proceed to Start Up.



C-SHELL® 6X5 MOTOR ANCHOR INSTALLATION

IMPORTANT: Make certain all inlet and discharge piping are independently supported to a post base, strut, and pipe clamp system.



Visit McMaster-Carr Supply Company at www.mcmaster.com to find parts listed in the table below. Enter the McMaster-Carr part number in their search engine to be directed to part page.

Consult Motor Name Plate for Frame Size Specification

NO.	DESCRIPTION	QTY.	C GROUP MOTORS	D GROUP MOTORS	D GROUP MOTORS
			254/6JM 1/2-13	254/6JM 1/2-13	284/6JM 1/2-13
1	ANCHOR INSTALLATION TOOL	1	97077A120	97077A130	97077A130
2	MOTOR FOOT ANCHOR	4	97095A121	97095A131	97095A131
3	THREADED ROD	4	90575A292	90575A736	90575A732
4	RISER BLOCK	4	INCLUDED	INCLUDED	INCLUDED
5	MOTOR SHIM (AS NEEDED)	4	94420A160	94420A160	94420A160
6	FLAT WASHER	4	90107A127	90107A033	90107A033
7	LOCK WASHER	4	92147A031	92147A033	92147A033
8	HEX NUT	4	94819A049	94819A055	94819A055

McMaster-Carr Part Numbers



PROUDLY MADE
IN THE USA

Generated from efficiency. Adapted for flow. Built for longevity.

© MDM INCORPORATED
WWW.MDMINC.COM

MAINTENANCE

*The pump must be drained before servicing or if stored below freezing temperatures.
Periodic replacement of seals may be required due to normal wear.*

Lubrication:

Rotary Seal - Requires no lubrication after assembly.

TROUBLE SHOOTING AID

Motor Will Not Rotate

1. Check for proper electrical connections to motor.
2. Check main power box for tripped circuit breaker.

Motor Hums Or Will Not Rotate

1. Check for proper electrical connections to motor and proper wire size according to local electrical codes.
2. Check for foreign material inside pump.
3. Remove volute and check for impeller rotation without excessive resistance and/or noise.
4. Remove pump and check shaft rotation for excessive bearing noise.
5. Check start switch and/or capacitor.

Pump Operates With Little Or No Flow

1. Check to insure that pump is primed.
2. Check for leaking seal.
3. Improper line voltage to motor or incorrect rotation.
4. Check for clogged inlet port and/or impeller.
5. Defective check or foot valve.
6. Check inlet lines for leakage, either fluid or air.

Pump Loses Prime

1. Defective check or foot valve.
2. Inlet line air leakage.
3. Seal leaking.
4. Fluid supply low.

Motor Or Pump Overheats

1. Check for proper line voltage and phase, also proper motor wiring.
2. Binding motor shaft or pump parts.
3. Inadequate ventilation.
4. Fluid being pumped should not exceed 194°F (90°C) for extended periods of time



MDM INCORPORATED
3345 N. Cascade Ave • Colorado Springs, CO • 80907
Toll Free Phone (800) 447-8342 • Fax (866) 425-1346
www.mdminc.com • info@mdminc.com

MDM Incorporated is not responsible for any McMaster-Carr parts used in installation. Molykote[®] is a registered trademark of Dupont[™]. C-Shell[®] is a registered trademark of MDM Incorporated.
C-Shell 6x5 General Assembly Manual 2020.indd. Adobe Indesign CC. Updated 2/27/20.



PROUDLY MADE
IN THE USA

Generated from efficiency. Adapted for flow. Built for longevity.

© MDM INCORPORATED
WWW.MDMINC.COM

P.8