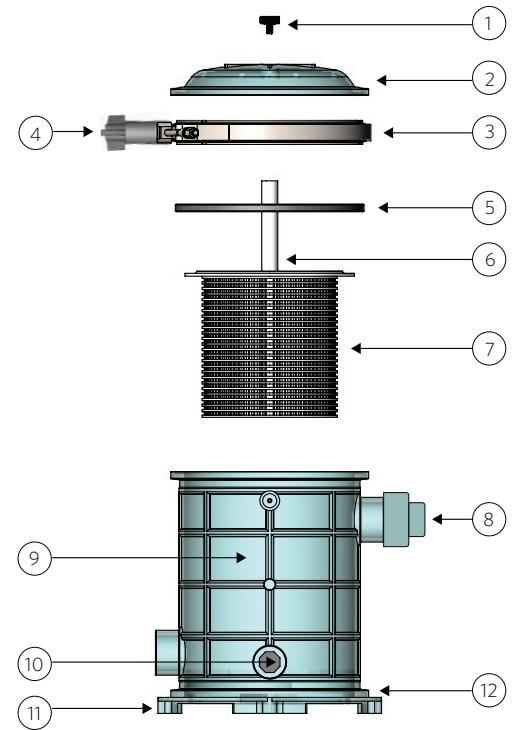


BASKET STRAINER (PF)

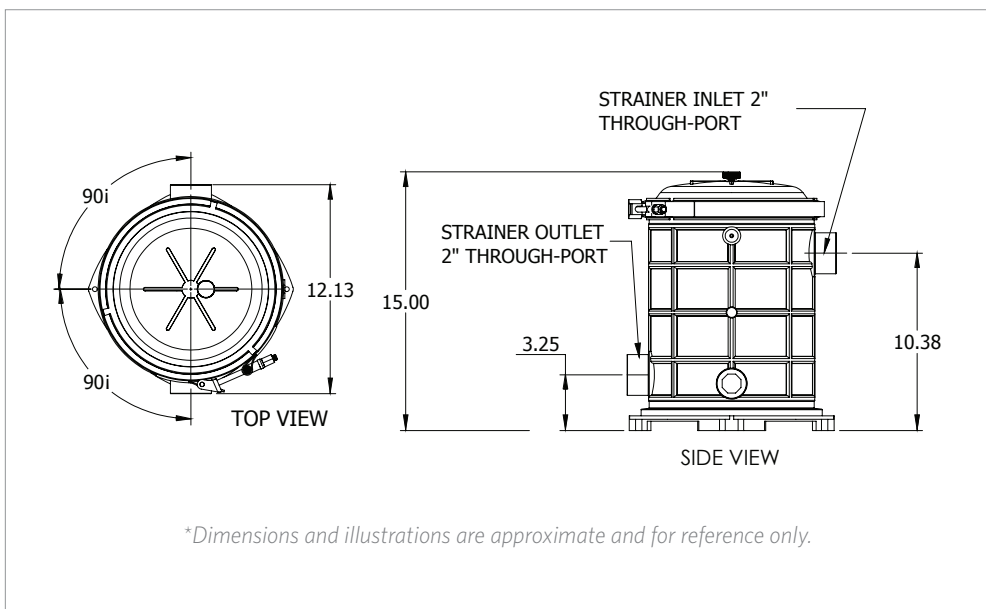
PARTS SHEET



Basket Strainer (PF)

Our medium duty PF model strainer comes in a standard one-high unit with a clear or gray PVC body and a basket made of stainless steel or acrylonitrile butadiene styrene (ABS). The standard port dimension is a 2" male thread that comes with adapters that have a slip port. With our PF model strainer you can expect higher quality molding processing, finer materials, and excellent performance.

ITEM	PART NO.
COMPLETE UNIT (500 CI) CLEAR	24170488
COMPLETE UNIT (500 CI) GRAY	24170496



NO.	ITEM	PART NO.
1	VENT SCREW	24170832
2	LID	24171507
3	CLAMP RING	24170818
4	STAR WRENCH	24170825
5	EPDM GASKET	24170811
6	PVC STEM HOLD DOWN	24171514
7	ABS BASKET (STANDARD)	24170853
7	S.S. BASKET	24170860
8	2" UNION	24170839
9	CLEAR BODY W/ GLUED BASE	24171575
9	GRAY BODY W/ GLUED BASE	24171582
9	BODY ONLY, NO BASE, CLEAR	24171596
9	BODY ONLY, NO BASE, GRAY	24171603
10	3/4" DRAIN PLUG	24171521
11	MOUNTING FEET	24170846
12	UNIVERSAL CLEAR BASE	24171589