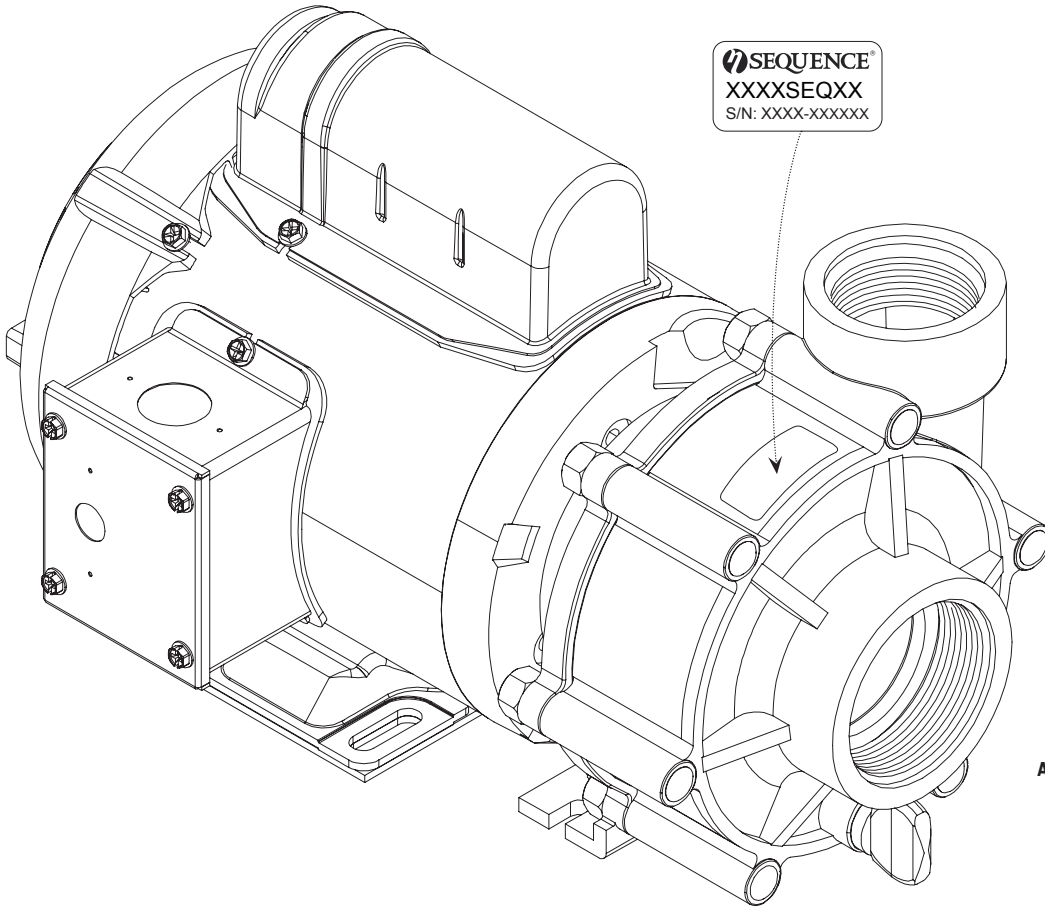


# SEQUENCE® 750

## INSTALLATION AND SERVICE MANUAL



FILL IN FOR FUTURE REFERENCE:

MODEL: \_\_\_\_\_  
 SERIAL NUMBER: \_\_\_\_\_  
 DATE PURCHASED: \_\_\_\_\_

COMPLETE AND MAIL YOUR WARRANTY REGISTRATION CARD INCLUDED WITH THIS PRODUCT OR FILE ONLINE AT:  
[WWW.MDMINC.COM/PUMP-REGISTRATION](http://WWW.MDMINC.COM/PUMP-REGISTRATION)

- TYPE:** STRAIGHT CENTRIFUGAL
- MOTOR:** INDUSTRIAL DUTY 1/8 HP, 1 PHASE, TEFC  
1725 RPM (@60HZ), 115 VAC MOTOR  
8 FT 3-PRONGED CORD
- INLET:** 2" FNPT
- DISCHARGE:** 1-1/2" FNPT
- MATERIAL:** 40% GLASS-FILLED POLYPROPYLENE  
WITH NORYL® IMPELLER
- HARDWARE:** STAINLESS STEEL
- OPTIONS:** SALTWATER SERVICE
- ACCESSORIES:** 90 CUBIC INCH STRAINER BASKETS (1.5" & 2")  
500 CUBIC INCH STRAINER BASKET (2")  
SWING CHECK VALVES (1.5", 2", 3")

\*MOTORS ARE SUBJECT TO CHANGE DUE TO AVAILABILITY OR SPECIFICATION REQUIREMENTS.

Model	3600SEQ12	4200SEQ12
INLET	2"	2"
DISCHARGE	1.5"	1.5"
MAX FLOW (GPH)	3600	4200
MAX HEAD (FEET)	12'	12'
MAX POWER (WATTS)	142	154
MAX CURRENT (AMPS) @ (VOLTS)	1.25 115	1.39 115
MOTOR HP	1/8	1/8
MOTOR ENCLOSURE	TEFC	TEFC
IMPELLER	8	9



**Read this manual completely before you install or operate your new pump. This is an external "out-of-pond" pump. It is not submersible. Do not allow this pump to become submerged. Never run dry. Maximum case pressure - 25 PSI.**



PROUDLY MADE  
IN THE USA

*Reliable. Efficient.*

© MDM INCORPORATED  
WWW.MDMINC.COM

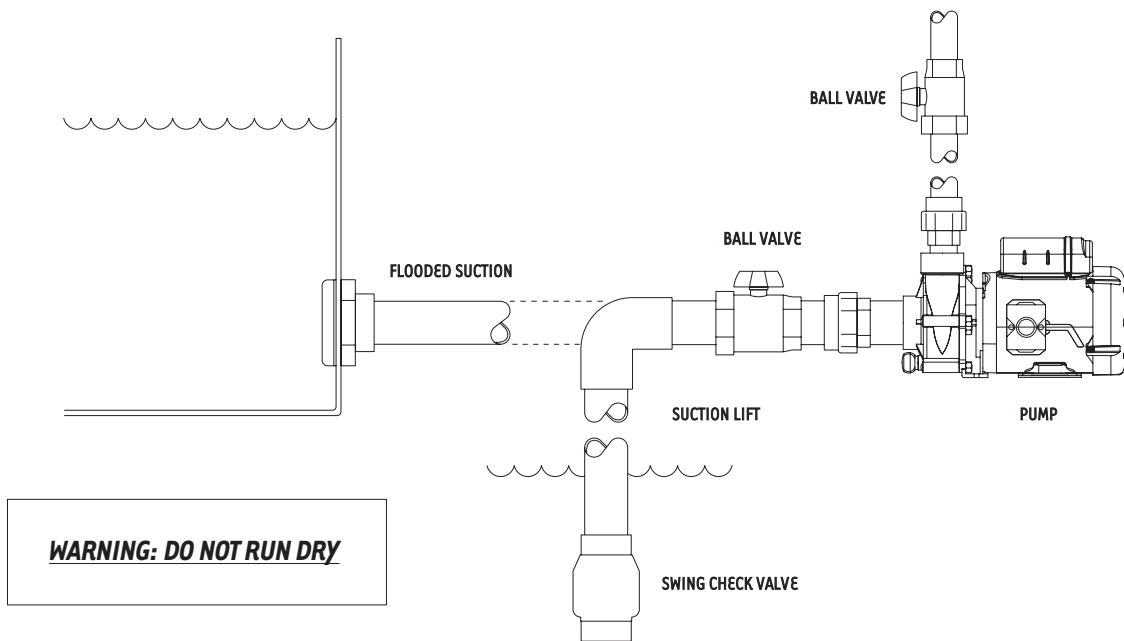
# SEQUENCE® 750

We congratulate you on your choice of the Sequence® 750 centrifugal pump. Its leading edge design provides you with high output at a minimal operating cost. It is carefully constructed to give you long term, reliable service. To insure proper performance, we urge you to carefully follow the instructions in this manual. If you have any questions, please call your supplier for assistance or visit [www.mdminc.com/support](http://www.mdminc.com/support).

## INSTALLATION

**Please read carefully. When properly installed, the Sequence® 750 will provide dependable, trouble-free service.**

1. Do not submerge the unit in water – it is not a submersible pump. Do not allow the pump to become submerged during transient periods, such as heavy rain, run-off, etc.
2. Locate the pump as near the water source as possible. A flooded suction is preferred.
3. The pump is not self-priming. Therefore, if the fluid level is below the pump, a swing check valve must be installed below water level. The pump and inlet line must be primed prior to start up. A strainer basket is recommended for non-flooded installations.
4. Mount the motor base to a secure, immobile foundation.
5. Use only plastic fittings on both the inlet and discharge ports. Seal the inlet and discharge fittings with Teflon® pipe dope. These fittings should be self-supported and in neutral alignment with each port (i.e., Fittings must not be forced into port alignment which may cause premature line failure or damage to the pump volute).
6. Never restrict the inlet. Keep both inlet and discharge lines as free of elbows and valves as possible. Always use pipe of adequate diameter. This will reduce friction losses and maximize output. Never use an inlet line of smaller diameter than the discharge line. Minimize the suction lift.



**WARNING: ALWAYS SHUT OFF ELECTRICAL POWER BEFORE INSTALLATION AND / OR SERVICING THIS PUMP.**  
ALL ELECTRICAL WIRING SHOULD MEET STATE AND LOCAL ORDINANCES. THE SEQUENCE® 750 PUMP MOTOR IS DESIGNED FOR 115 VAC 60HZ POWER ONLY. 230V 50HZ MOTORS ARE AVAILABLE. CONTACT YOUR SUPPLIER FOR INFORMATION.



## ELECTRICAL HOOK-UP

Carefully examine the power cord before use. Do not use this power cord if there is any visible damage. Do not use this power cord in water or if the motor or electrical receptacle is in contact with any standing water. This power cord should only be plugged into a properly installed 115 VAC GFI receptacle. Always test cycle a GFI receptacle to determine its condition before use.



PROUDLY MADE  
IN THE USA

*Reliable. Efficient.*

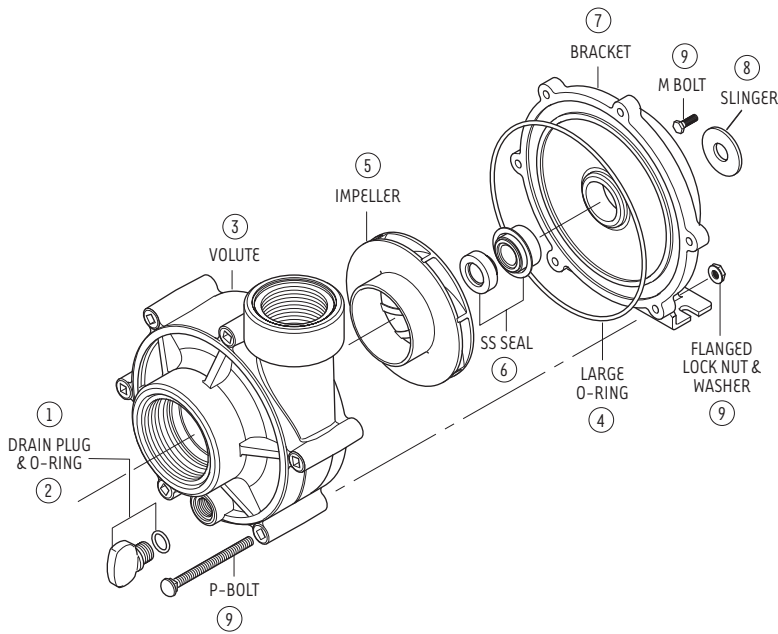
© MDM INCORPORATED  
[WWW.MDMINC.COM](http://WWW.MDMINC.COM)

P.2

# SEQUENCE® 750

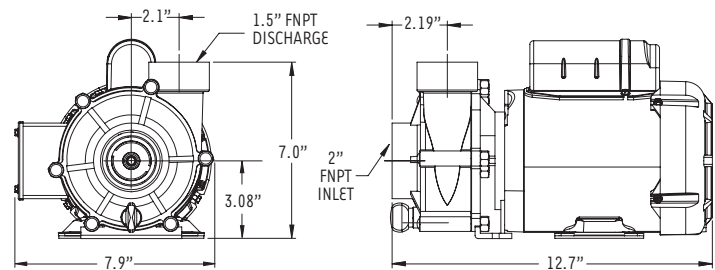
## PUMP END ASSEMBLY

1. Inspect all pump parts (O-ring, O-ring groove, impeller hub ID, motor shaft, etc.) and clean if necessary.
2. Apply sealant to the bracket bore ID wall and around the seal case - follow sealant manufacturer's instructions. We recommend using Gasegacinch®. Silicone sealant can also be used.
3. Press the carbon graphite seal into the bracket while taking care not to touch or damage the carbon graphite face. Never touch or apply pressure to the carbon graphite seal face.
4. Screw the (4) M-Bolts five complete turns into the threaded holes located on the motor face.
5. Mount the bracket to the motor by aligning the key holes over each bolt head, then rotate clockwise which will position the small key hole slot under each bolt head. Tighten each bolt with a wrench to secure the bracket to the motor (8-25 inch-pounds force)
6. Carefully, lubricate the seal seat elastomer OD and impeller hub ID with water. Press the seal seat into the impeller hub making certain that the ceramic is in evenly - the sealing surface should be parallel with the impeller hub.
7. Apply clean water to the carbon-graphite and seal seat sealing surfaces. Do not use silicon lubricants or grease.
8. Lock the shaft by placing a screwdriver blade into the shaft slot at the fan end of the motor. Thread the impeller onto the motor shaft. Thread until the impeller securely contacts the shaft shoulder.
9. Seat the large O-ring into the bracket O-ring groove.
10. Assemble the volute onto the bracket with (6) P-Bolts (10-24 x 2 3/4" carriage bolts) and (6) flanged lock nuts. Tighten in a cross pattern (30 lb. in.).
11. Install the drain plug and O-ring, into the volute drain hole.
12. Before operating the Sequence® 750, allow a proper cure time for the sealant used in step 2.



NO.	DESCRIPTION	SEQUENCE® P/N
1	DRAIN PLUG	1000.110
2	O-RING (DRAIN PLUG)	E014B70
3	VOLUTE	750.070
4	LARGE O-RING	750.061
5	IMPELLER	750.05_*
6	SS SEAL	750.0414
7	BRACKET	750.030
8	SLINGER	750.010
9	HARDWARE KIT: (6) P-BOLT, (6) FLANGED LOCK NUT AND WASHER, (4) M-BOLT	750.502

Note: These part numbers are only for standard models within the Sequence® 750 series.  
\*750.05\_\_ Reference page one for Impeller number (8 and 9).



Motor illustration is for reference only.

## DISASSEMBLY

1. Shut off power to the motor before servicing any pump.
2. Unplug the power cord.
3. Disassemble the volute from the bracket (6) P-Bolts and (6) flanged lock nuts. The volute may remain attached to the plumbing to help simplify reinstallation.
4. Lock the shaft by placing a screwdriver blade into the shaft slot at the fan end of the motor. Unthread the impeller from the motor shaft.
5. Remove the ceramic seal seat, with rubber boot, from the impeller hub (if you are replacing the seal).
6. Loosen the (4) M-Bolts attaching the bracket to the motor. Rotate the bracket counterclockwise until the screw heads are located in the large key hole slots. Lift off the bracket from the motor.
7. Remove the carbon-graphite seal assembly from the bracket by pressing it out from the motor-side of the bracket. Do not pry it out with a screwdriver from the pump cavity side of the bracket (if you are replacing the seal).



PROUDLY MADE  
IN THE USA

**Reliable. Efficient.**

© MDM INCORPORATED  
WWW.MDMINC.COM

P.3

# SEQUENCE® 750

## MAINTENANCE

### Lubrication

Motor – Permanently Lubricated ball bearings – no service required.

Rotary Seal – Requires no lubrication after assembly.

### WARNING: EYE PROTECTION IS STRONGLY RECOMMENDED

\*The pump must be drained before servicing or if stored below freezing temperatures. Periodic replacement of seals may be required due to normal carbon wear.

SYMPTOM	PROBLEM	RESOLUTION
No Flow	Insufficient Prime	Prime system with water and purge all air from suction piping.
		Install check valve.
	Insufficient Power	Verify power supply and connection from panel to pump.
		Verify proper voltage. Some models are dual voltage (115/230).
	Flow Restriction	Ensure valves are open.
		Ensure plumbing is clear, including suction strainers, check valves, etc.
		Verify check valve orientation and direction of permitted flow.
Air leak	Clean out leaves or other debris from basket strainer (if applicable).	
Air leak	Fix air leaks at fittings, connections, strainer basket etc. This typically occurs on the intake side.	
System Incompatibility	Verify hydraulic compatibility: i.e. pump and pipe are sized for the system.	
Low Flow	Air leak	Fix air leaks at fittings, connections, strainer basket etc. This typically occurs on the intake side.
	System Incompatibility	Verify hydraulic compatibility: i.e. pump and pipe are sized for the system.
	Insufficient Power	Verify power supply and connection from panel to pump.
		Verify proper voltage. Some models are dual voltage (115/230).
	Flow Restriction	Ensure valves are open.
		Ensure plumbing is clear, including suction strainers, check valves, etc.
		Clean out leaves or other debris from basket strainer (if applicable).
	Insufficient Prime	Prime system with water and purge all air from suction piping.
	Cavitation	Verify airtight plumbing on the suction plumbing especially fittings.
		Clean out leaves or other debris from basket strainer (if applicable).
Increase pipe size where possible.		
Decrease suction pipe length, reduce the number of elbows, etc.		
Sporadic Operation	Insufficient Power	Verify power supply and connection from panel to pump.
		Verify proper voltage. Some models are dual voltage (115/230).
Poor Ventilation	Ensure adequate airflow over motor to prevent overheating.	
Excessive Noise	Cavitation	Verify airtight plumbing on the suction plumbing especially fittings.
		Clean out leaves or other debris from basket strainer (if applicable).
		Increase pipe size where possible.
		Decrease suction pipe length, reduce the number of elbows, etc.
	Insufficient Power	Verify hydraulic compatibility: i.e. pump and pipe are sized for the system.
		Verify power supply and connection from panel to pump.
	Flow Restriction	Verify proper voltage. Some models are dual voltage (115/230).
		Ensure valves are open.
		Ensure plumbing is clear, including suction strainers, check valves, etc.
	Verify check valve orientation and direction of permitted flow.	



**MDM INCORPORATED**  
 3345 N. Cascade Ave • Colorado Springs, CO • 80907  
 Toll Free Phone (800) 447-8342 • Fax (866) 425-1346  
 www.mdminc.com • sales@mdminc.com

Gasgacinch® is a registered trademark of Porter Manufacturing.  
 Noryl® is a registered trademark of the General Electric Company.  
 Teflon® is a registered trademark of the Chemours Corporation.  
 Sequence® is a registered trademark of MDM Incorporated.  
 Sequence 750 Installation Manual 2020.indd. Adobe Indesign CC. Updated 7/06/20.



PROUDLY MADE  
 IN THE USA

**Reliable. Efficient.**

© MDM INCORPORATED  
 WWW.MDMINC.COM